

SPECIFICATIONS

Test Conditions: $V_{in}=10\pm 0.01VDC$, $T_a=25^{\circ}C$					
PARAMETERS	PMFc3100V				CONDITIONS
	MIN	TYP	MAX	UNIT	
Flow Range (Full Scale)			200	sccm ¹	
PARAMETERS	PMFc3300V				CONDITIONS
	MIN	TYP	MAX	UNIT	
Flow Range (Full Scale)			1000	sccm	
Pressure Drop		900		Pa	@ 1000 sccm
PMFc3000 SERIES					
Output Voltage		5		VDC	@ Full Scale
Null Voltage	0.95	1.00	1.05	VDC	
Null Shift		0.3		% F.S.	Per Year
Null Temperature Drift			4	% Reading	0°C - +50°C
Load		100		KOhm	
Supply Voltage	6	10	16	VDC	
Operating Current	22		24	mA	
Response Time		5		ms	
Repeatability & Hysteresis			±0.50	%	
Common Mode Pressure		25	100	psi	
Wetted Materials	Silicon carbide, Silicon, Epoxy, PPS, FR4, Silicone as static seal				

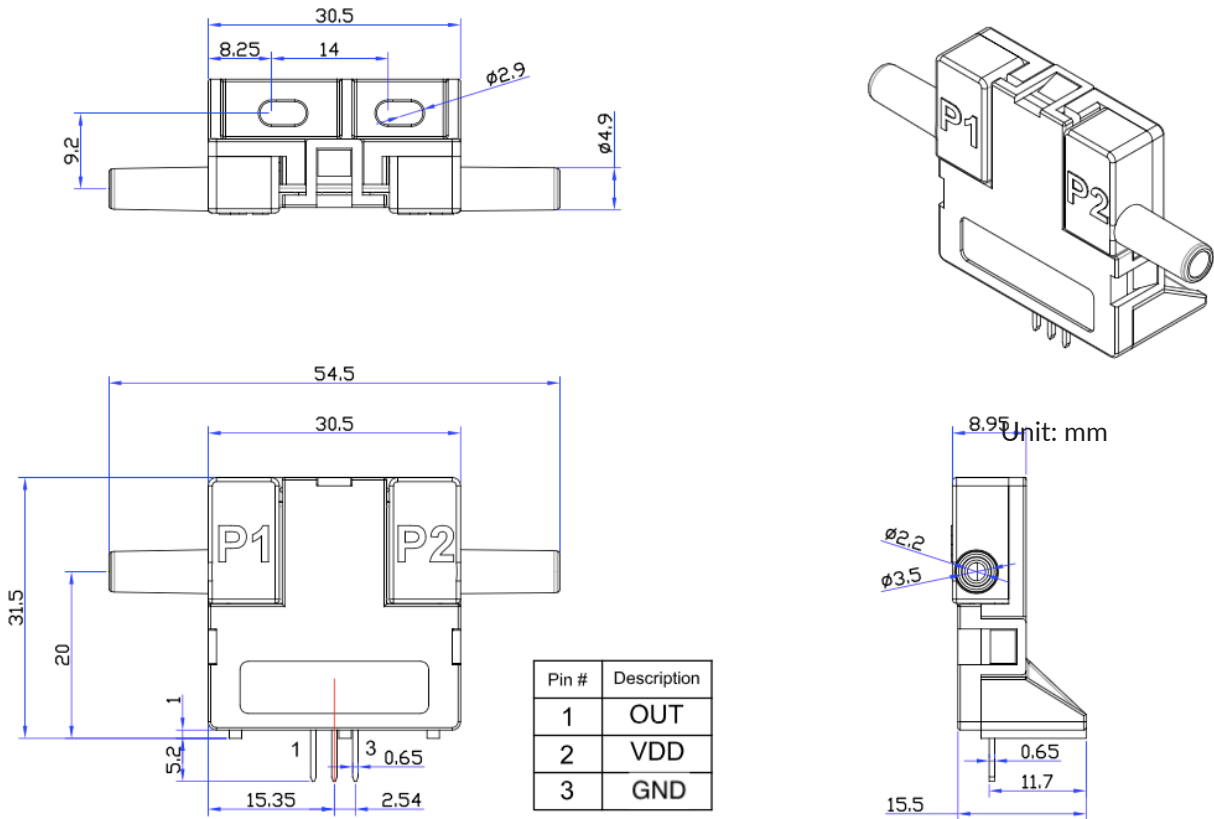
- sccm: standard cubic centimeter per minute. Standard conditions: 0 °C and 1 atmosphere.
- 10% to 90% rise time of the flow sensor to electrically respond to any mass flow change. May be affected by the pneumatic interface.

OUTPUT DESCRIPTION

Supply = 10 Vdc, Ta = 20 °C

PMFc3100V			PMFc3300V		
Flow sccm	Nom. Vout	Tol. ±V	Flow sccm	Nom. Vout	Tol. ±V
0	1.00	0.05	0	1.00	0.05
20	1.90	0.08	100	2.30	0.08
50	2.67	0.08	200	2.96	0.08
75	3.27	0.10	300	3.41	0.10
100	3.75	0.10	400	3.82	0.10
125	4.17	0.10	500	4.18	0.10
150	4.50	0.10	600	4.42	0.10
175	4.80	0.10	700	4.66	0.10
200	5.00	0.10	800	4.8	0.10
			900	4.9	0.10
			1000	5	0.10

PACKAGE DIMENSIONS



Please contact Posifa for sensor CAD model

ORDERING INFORMATION

PART NUMBER	SPECIFICATIONS
PMFc3100V	Compatible with AWM3100V, 200 sccm, 1 to 5 V
PMFc3300V	Compatible with AWM3300V, 1000 sccm, 1 to 5 V

EUROPEAN DISTRIBUTOR

BS-rep GmbH
Eichertstr. 68, D-56745 Weibern, Germany
Tel: +49 (0) 2655 / 96 26 476
Email: info@sensor-rep.de

CUSTOMIZATION OPTIONS

If the standard product described in this datasheet does not completely meet your needs, please contact Posifa Technologies to discuss other options. Help us understand your application and sensor requirements and we can work together to find the best overall solution.