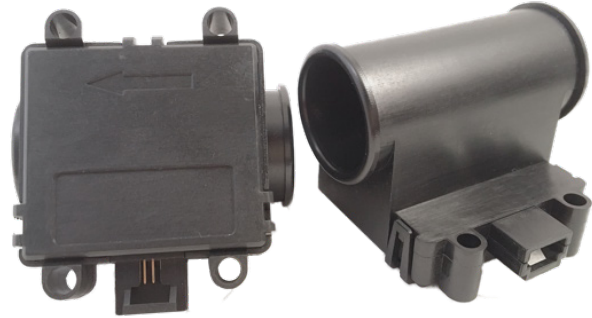


FEATURES

- Flow ranges: up to 500 SLM
- Supply: 6 - 16 Vdc
- Analog (voltage) or Digital (I²C) linear output
- RoHS and REACH compliant
- Media Compatibility: dry gases only
- Operating Pressure: 25 psi



SPECIFICATIONS

Test Conditions: $V_{in}=10\pm 0.01VDC$, $T_a=25^{\circ}C$. Relative Humidity: $40\% < RH < 60\%$

SPECIFICATIONS	MIN	TYP	MAX	UNIT	CONDITIONS
PMF4A05	0		500	SLM	
Output Voltage (V) ²	1 to 5			VDC	
Null Voltage (V)	0.95	1	1.05	VDC	
Null Voltage (V) Bi-direction	2.95	3	3.05	VDC	
Output Count (D)	256 to 16124			Count	
Null Count	156		356	Count	
Null Drift		0.2		% F.S.	
Repeatability		0.1		% F.S.	
Accuracy ³		1%		F.S.	0 to 25% F.S.
			4%	Reading	25 to 100% F.S.
Resolution (D)		14		Bit	
Response Time ⁴		5		mSec	
Supply Voltage (V)	6	10	16	Vdc	
Supply Voltage (D)	4.75		16	Vdc	
Current		21	26	mA	
Wetted Materials	Silicon carbide, epoxy, PPE+PE, FR4, and silicone as static seal				

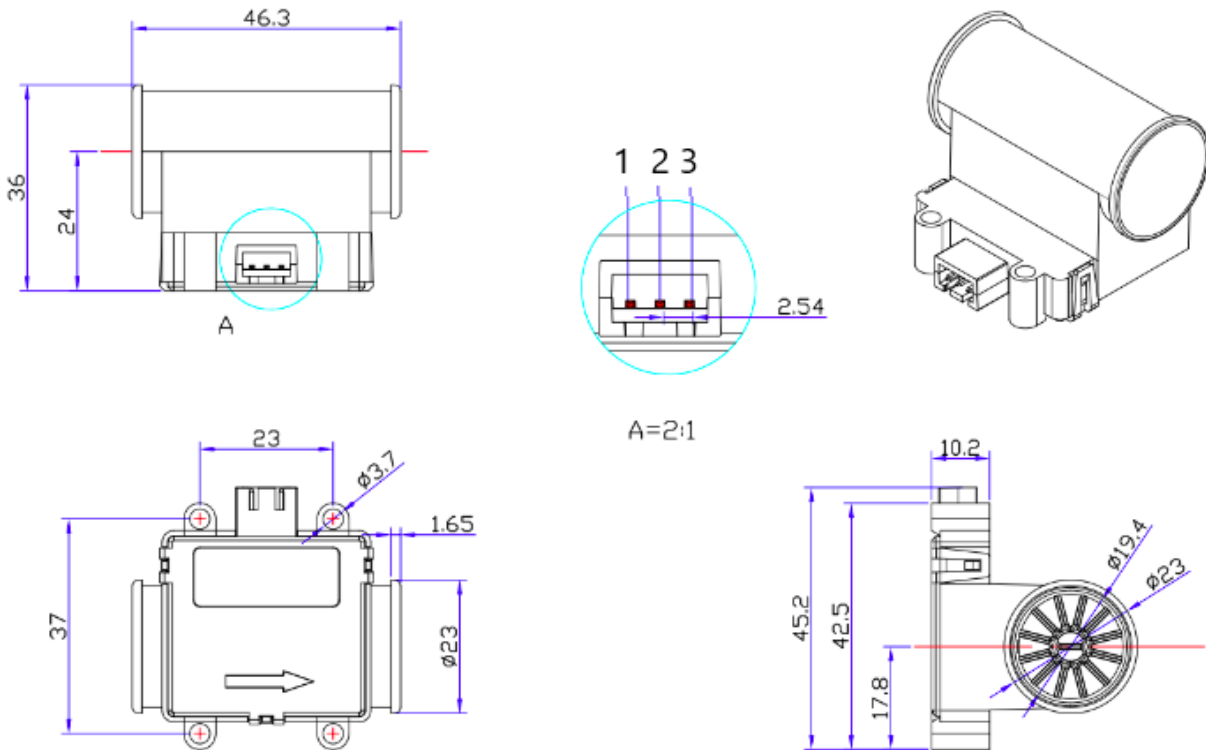
LINEAR OUTPUT

For **PMF4A00V-B (B for bi-direction calibration)**

Flow Rate = $[(V_{out} - 3 V) / 2 V] \times \text{Full Scale Flow Rate}$

For example, for PMF4A05-B full scale flow rate is 500 SLM. When V_{out} reads 2 V, the Flow Rate is: $[(2 V - 3 V) / 2V] \times 500 \text{ SLM} = -250 \text{ SLM}$ (Reverse direction)

PACKAGE DIMENSIONS



Unit - mm

Pin#	Description
1	OUT
2	VDD
3	GND

ORDERING INFORMATION

PART NUMBER	SPECIFICATIONS
PMF4A05V-B	+/-500 SLM, 1 to 5 V, linear, bi-direction

Order I²C Digital Output models by specifying “D” instead of “V” in part numbers above.
Please contact Posifa or your local distributor to place an order.

EUROPEAN DISTRIBUTOR

BS-rep GmbH
Eichertstr. 68, D-56745 Weibern, Germany
Tel: +49 (0) 2655 / 96 26 476
Email: info@sensor-rep.de